

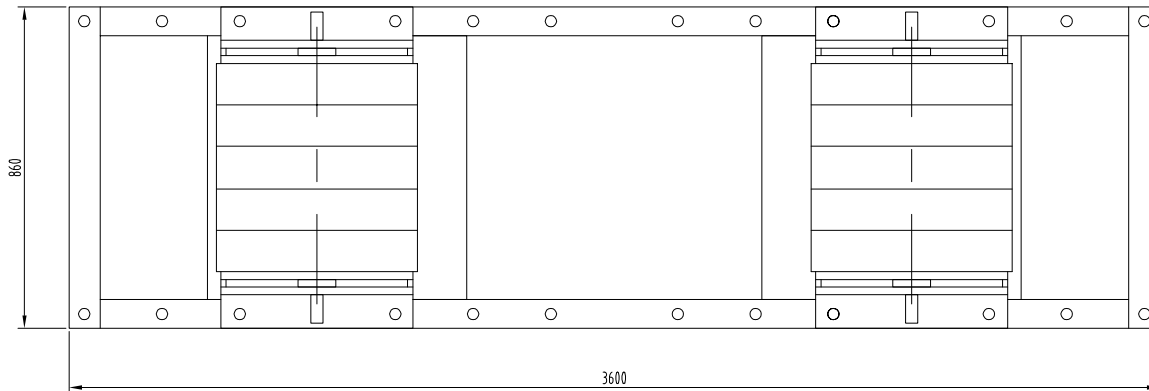
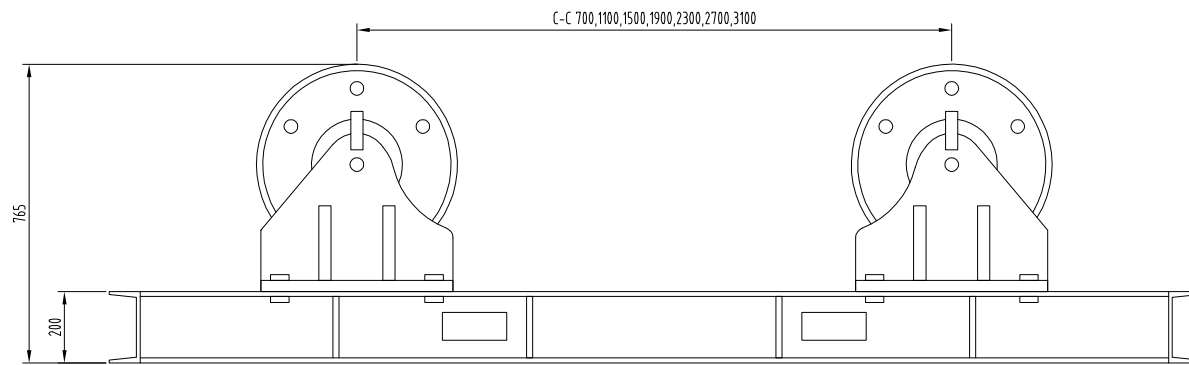
Specifications		
1	Model	WHTP-100-150-X
2	Loading Capacity	50 MT
3	Turning Capacity	150 MT
4	Vessel Size Min.	Ø470mm at 90° Included Angle, at C-C 700mm
5	Vessel Size Max.	Ø7580mm at 45° Included Angle, at C-C 3100mm
6	Tyre/Drum Type & Size	Polyurethane, Ø520mm x 500mm, Shore 'A' 90-95
7	Roller Speed	130-1300mm/min at 5-50Hz
8	Roller Drive Motor	2x AC 9kW Motor c/w Force Cooling
9	Travel Car	No
10	Travel Car Speed	N.A.
11	Travel Car Drive	N.A.
12	Drive Control	AC 7.5KW Inverter
13	Electrical Panel	Yes
14	Incoming Supply	415V-3P-50Hz
15	Control Voltage	24Vac
16	Control Means	Via Push Button Pendant c/w 10m Cable
17	Surface Preparation	Gritblast to SA2.5
18	Painting	2 Coats Zinc Phosphate, 1 Coat Polyurethane
19	Colour	RAL3003 Red
20	Qty	1 Unit
21	Weight	2180kg
22	Shipping Size	357 x 104 x 77 cm

Note:

1. Input terminals are wired for 400V by default.
2. This drawing is accurate at time of preparation and maybe subjected to final design changes.

ALL DIMENSIONS IN MM, UNLESS OTHERWISE SPECIFIED.

W.A.M.			PROJECT/MODEL :		WHTP-100-150-X
			CLIENT :		
DRAWN	NAME	DATE	DWG. NAME :		100T Rotator GA
	SF	2017/09/11			
APPROVED			DWG. NO. :		DQ-170911-GA01
			SCALE:		N.T.S.
			REVISION:		0
			SHEET NO.:		1 OF 1



Specifications		
1	Model	WHTI-100-X
2	Loading Capacity	50 MT
3	Turning Capacity	N.A.
4	Vessel Size Min.	Ø470mm at 90° Included Angle, at C-C 700mm
5	Vessel Size Max.	Ø7580mm at 45° Included Angle, at C-C 3100mm
6	Tyre/Drum Type & Size	Polyurethane, Ø520mm x 500mm, Shore 'A' 90-95
7	Roller Speed	N.A.
8	Roller Drive Motor	N.A.
9	Travel Car	No
10	Travel Car Speed	N.A.
11	Travel Car Drive	N.A.
12	Drive Control	N.A.
13	Electrical Panel	N.A.
14	Incoming Supply	N.A.
15	Control Voltage	N.A.
16	Control Means	N.A.
17	Surface Preparation	Gritblast to SA2.5
18	Painting	2 Coats Zinc Phosphate, 1 Coat Polyurethane
19	Colour	RAL3003 Red
20	Qty	1 Unit
21	Weight	1535kg
22	Shipping Size	360 x 86 x 77 cm

Note:

1. This drawing is accurate at time of preparation and maybe subjected to final design changes.

ALL DIMENSIONS IN MM, UNLESS OTHERWISE SPECIFIED.

			PROJECT/MODEL : WHTI-100-X	
			CLIENT :	
DRAWN	NAME SF	DATE 2017/09/11	DWG. NAME : 100T Rotator GA	
APPROVED				
			DWG. NO. : DQ-170911-GA02	SCALE: N.T.S. REVISION: 0 SHEET NO: 1 OF 1