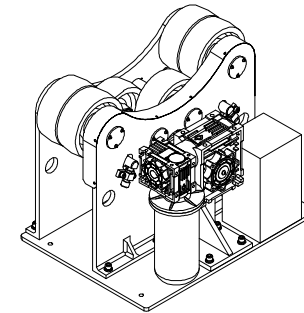
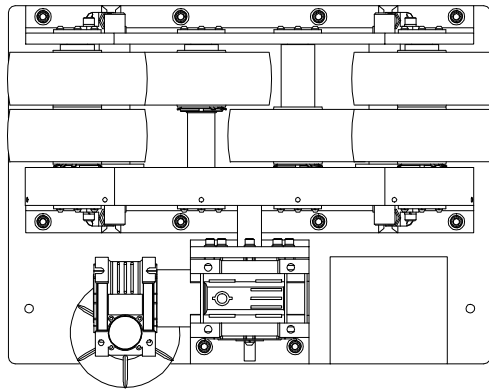
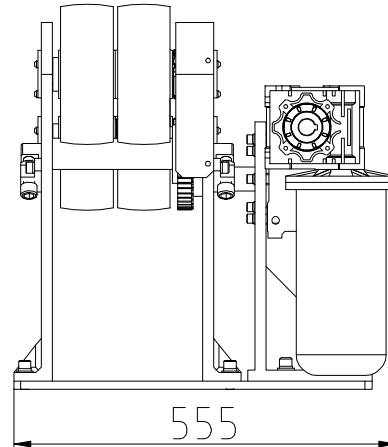
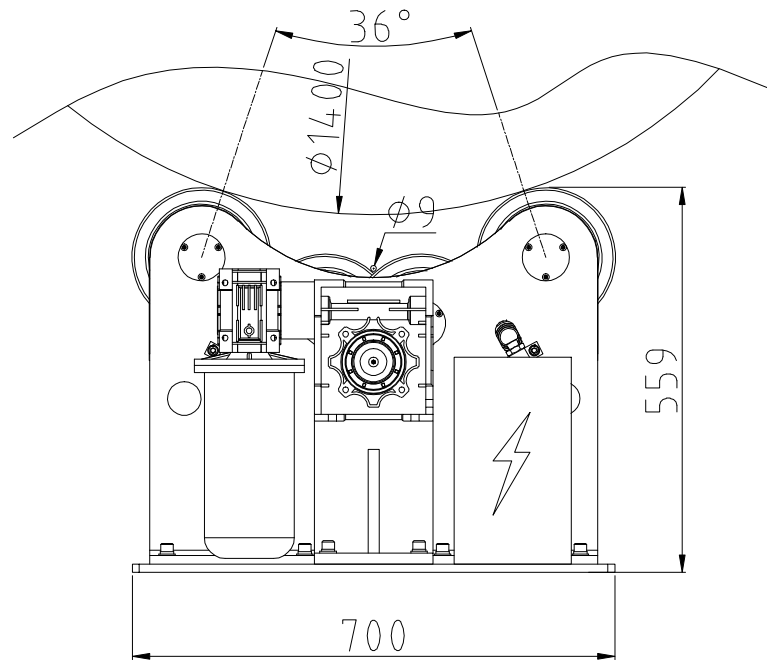
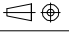


Specification for Rotator-Power Unit

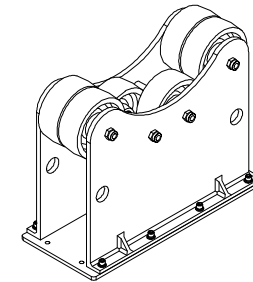
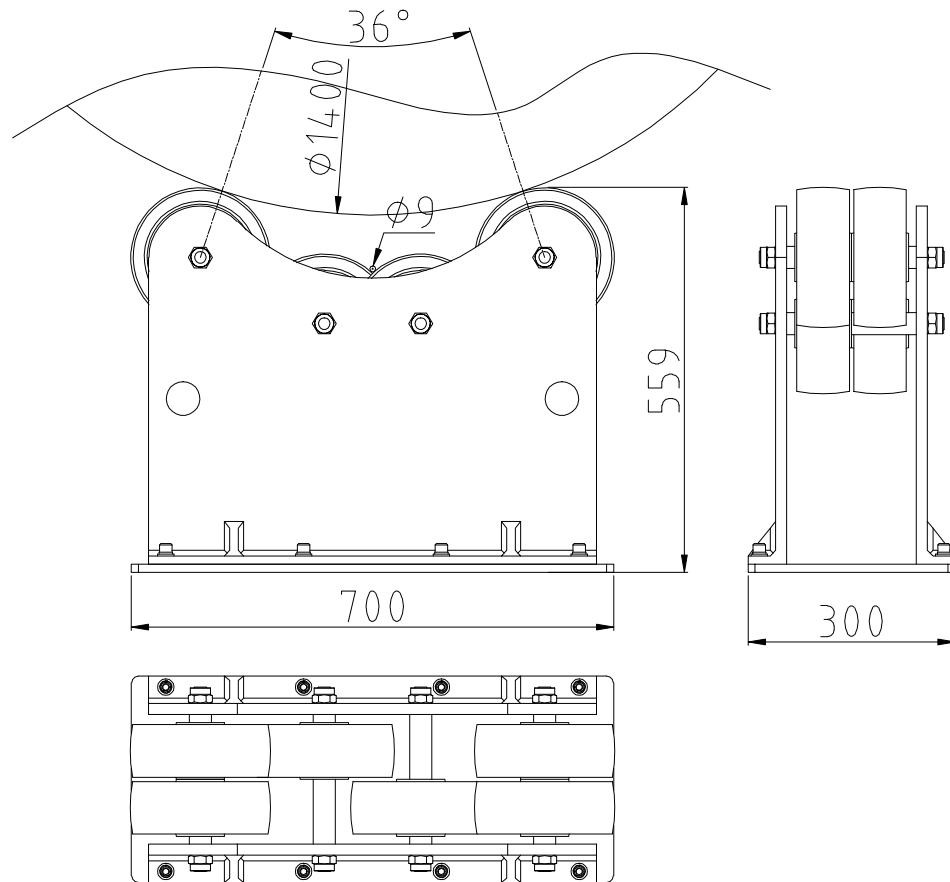
1	Model	WHTS-4
2	Capacity(loading)	2 Metric Ton
3	Capacity(Turning)	4 Metric Ton
4	Vessel Size (Min)	Ø9mm
5	Vessel Size (Max)	Ø1400mm
6	Tyre Type and Size	PU,8#×3#
7	Electrical Panel	YES
8	Roller Speed	156# 1560mm /min
9	Incoming Supply	220V-1P-50Hz
10	Control Voltage	24VDC
11	Roller Drive Control	DC Speed Controller
12	Control Means	Foot Switch (Toggle Type) c/w 3m Cable
13	Roller Drive Motor	1×DC500W
14	Surface Preparation	Gritblast to SA2.5
15	Painting	Spray paint
16	Color	BLACK
17	Qty	
18	Est Weight	



			PROJECT/MODEL :		WHTS-4		
			CLIENT :		-		
DRAWN	NAME	DATE	DWG. NAME :		 SCALE: 1 : 1		
	ZHANGW	2015-05-12					
APPROVED			DWG. NO. :		WHTS-4 GA		REVISION:
							1
							SHEET NO:
							1 OF 1

Specification for Rotator-Power Unit

1	Model	WHTI-4
2	Capacity(loading)	2 Metric Ton
3	Capacity(Turning)	
4	Vessel Size (Min)	φ9mm
5	Vessel Size (Max)	φ1400mm
6	Tyre Type and Size	PU,8#×3#
7	Electrical Panel	NO
8	Surface Preparation	Gritblast to SA2.5
9	Painting	Spray paint
10	Color	BLACK
11	Qty	
12	Est Weight	



			PROJECT/MODEL :		WHTI-4	
			CLIENT :		-	
DRAWN	NAME	DATE	DWG. NAME :		SCALE: 1 : 1	
	ZHANGW	2015-05-12				
APPROVED			DWG. NO. :		REVISION: 1	
					WHTI-4 GA	