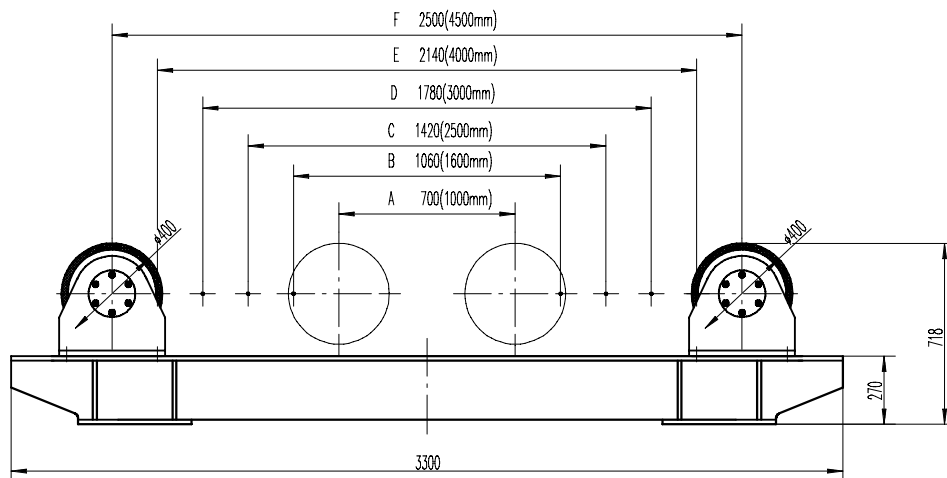
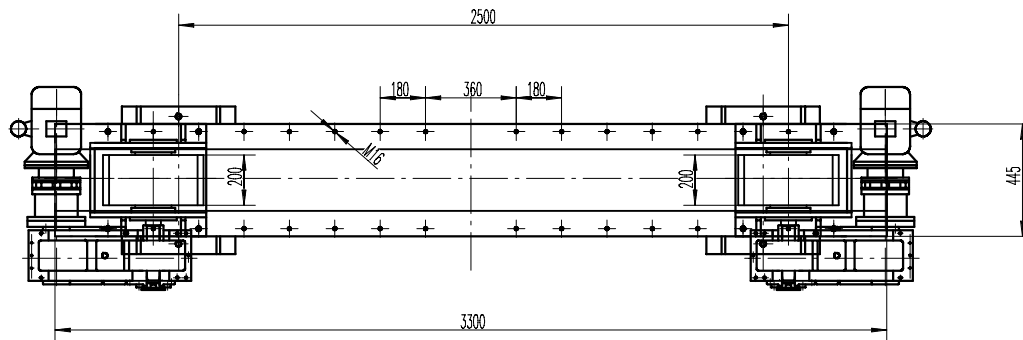
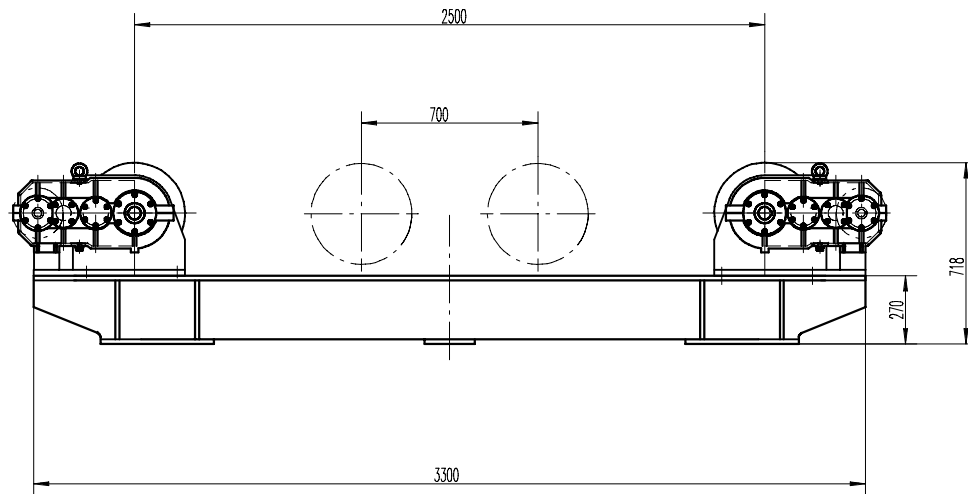


Technical Parameters



1	Max Loading Capacity	G=40000KG
2	Vessel Diameter	φ600-φ4500mm
3	PU size	φ400mm×200mm
4	Wheel speed	100-1000mm/min
5	Speed adjust	VFD
6	Motor Power	2×1.5KW
7	Adjust way	MANUAL

HGK-40				
				WAM