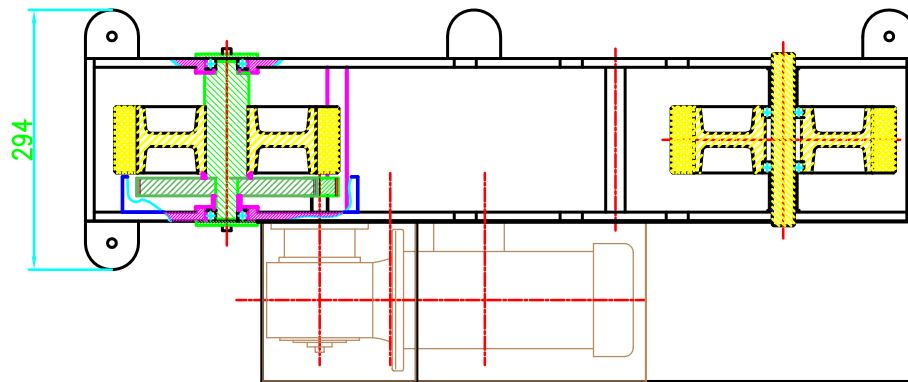
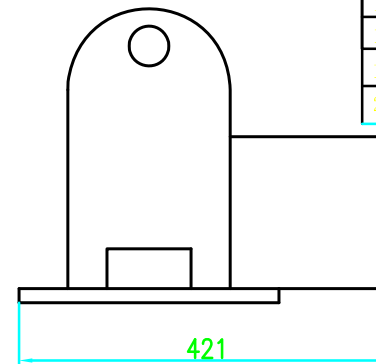
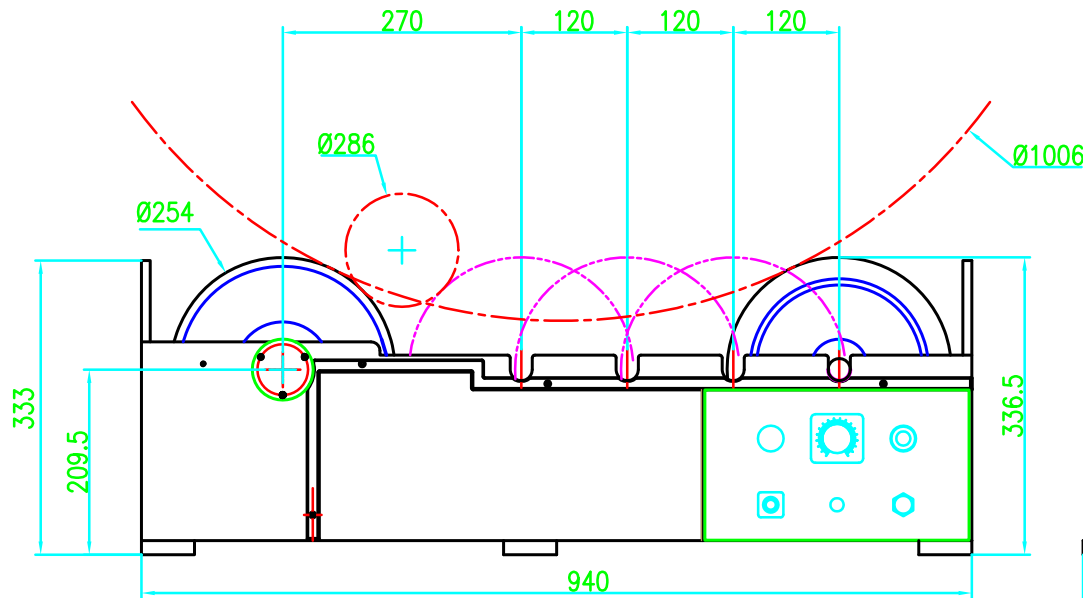


Specification for Rotator-Power Unit

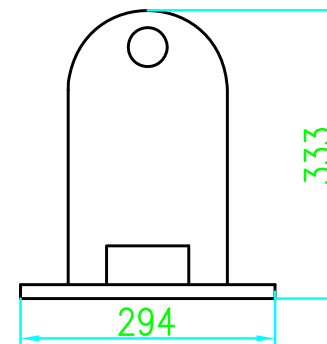
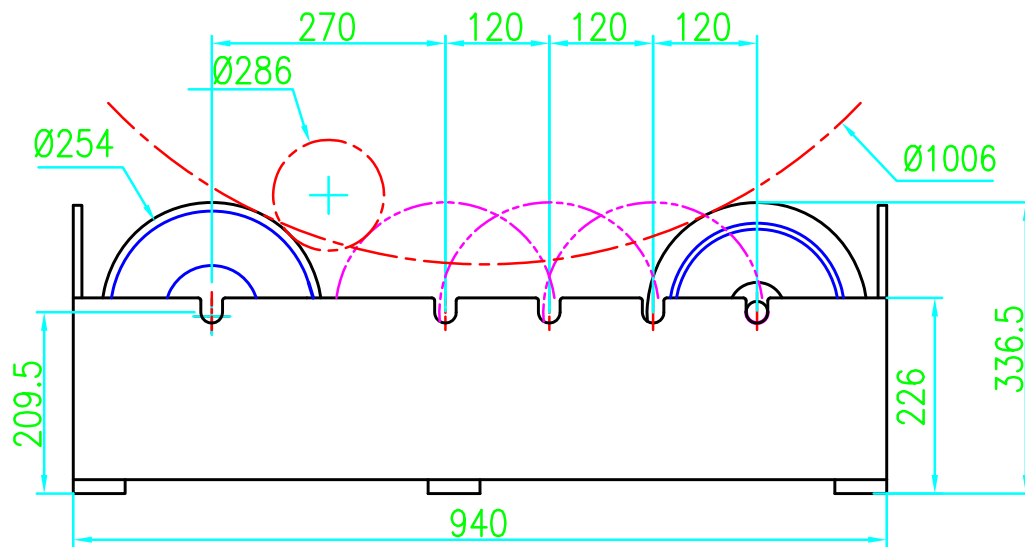
| | | |
|----|----------------------|---|
| 1 | Model | WHTP-3 |
| 2 | Capacity(loading) | 15 Metric Ton |
| 3 | Capacity(turning) | 4.5Metric Ton |
| 4 | Vessel Size (Min) | Ø286mm at 60° included Angle |
| 5 | Vessel Size (Max) | Ø1006mm at 60° included Angle |
| 6 | Tyre Type and Size | polyurethane, Ø254mm × 76.2mm |
| 7 | Electrical Panel | YES |
| 8 | Roller Speed | 0 to 4000mm /min |
| 9 | Incoming Supply | <input type="checkbox"/> V- <input type="checkbox"/> P- <input type="checkbox"/> Hz |
| 10 | Control Voltage | 24VDC |
| 11 | Roller Drive Control | DC Motor |
| 12 | Control Means | Via Footswitch C/W 3m cable |
| 13 | Roller Drive Motor | 0.5KW DC |
| 14 | Travelcar(Bogie) | N.A |
| 15 | Travelcar Speed | N.A |
| 16 | Surface Preparation | Gritblast to SA2.5 |
| 17 | Painting | powder coating |
| 18 | Color | RAL 3003 Red |
| 19 | Qty | T.B.A |
| 20 | Net Weight | 100 kg |



| | | | | | | |
|----------|------|------------|-----------------|--|-----------------------|--|
| | | | PROJECT/MODEL : | | WHTP-3 | |
| | | | CLIENT : | | - | |
| DRAWN | NAME | DATE | DWG. NAME : | | 3T Rotator-Power unit | |
| | | 2010-02-08 | | | | |
| APPROVED | | | DWG. NO. : | | WHTP-3 | |
| | | | PROJECT/MODEL : | | WHTP-3 | |
| | | | CLIENT : | | - | |
| | | | DWG. NAME : | | 3T Rotator-Power unit | |
| | | | DWG. NO. : | | WHTP-3 | |
| | | | SCALE: | | 1 : 1 | |
| | | | REVISION: | | 2 | |
| | | | SHEET NO: | | 1 OF 1 | |

Specification for Rotator-Idle Unit

| | | |
|----|---------------------|-------------------------------|
| 1 | Model | WHTI-3 |
| 2 | Capacity(loading) | 1.5 Metric Ton |
| 3 | Vessel Size (Min) | Ø286mm at 60° included Angle |
| 4 | Vessel Size (Max) | Ø1006mm at 60° included Angle |
| 5 | Tyre Type and Size | polyurethane, Ø254mm×76.2mm |
| 6 | Electrical Panel | NO |
| 7 | Travelcar(Bogie) | N.A |
| 8 | Travelcar Speed | N.A |
| 9 | Surface Preparation | Gritblast to SA2.5 |
| 10 | Painting | Powder coating |
| 11 | Color | RAL 3003 Red |
| 12 | Qty | T.B.A |
| 13 | Net Weight | 77kg |



| | | | | |
|-------|------|------------|-----------------|----------------------|
| | | | PROJECT/MODEL : | WHTI-3 |
| | | | CL-TEXT : | - |
| DRAWN | NAME | DATE | | |
| | | 2019-02-08 | | |
| | | | DWG. NAME : | 3T Rotator Idle unit |
| | | | DWG. NO. : | WHTI-3 |
| | | | SCALE : | 1 : 1 |
| | | | SHEET NO. : | 2 |
| | | | | 1 OF 1 |