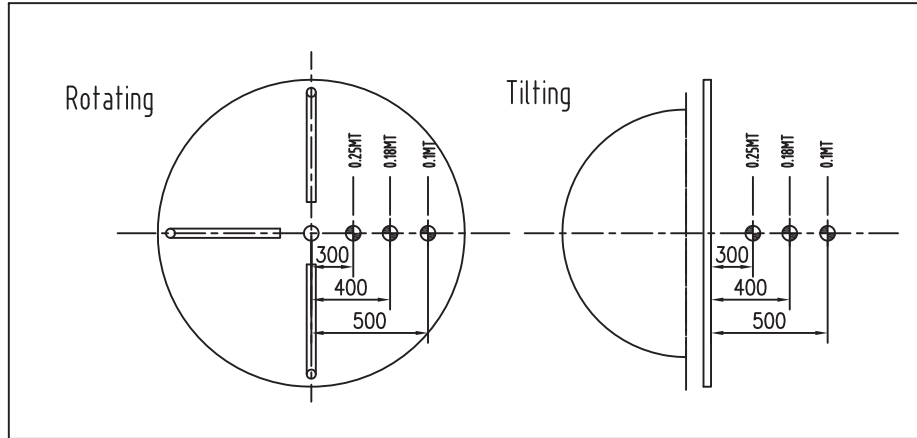


# WHP-2.5

## Specification for Positioner

### LOAD CHART



1	Model	WHP-2.5
2	Capacity (Turning)	250kg@300mm(Please refer to load chart)
3	Capacity (Tilting)	250kg@300mm(Please refer to load chart)
4	Electrical Panel	Yes
5	Rotation Speed	0-4rpm at 0-90VDC
6	Tilt Range	0-115Deg
7	Incoming Supply	220V-1P-50HZ
8	Control Voltage	24VDC
9	Rotation Drive Control	DC Motor
10	Control Means	Foot Switch c/w 3m Cable
11	Rotation Drive Motor	0.1KW DC Motor
12	Tilt Speed	115Deg in 24sec
13	Tilt Drive Motor	0.5KW DC Motor
14	Earthing	300A
15	Surface Preparation	Gritblast to SA2.5
16	Painting	Spray Paint
17	Color	RAL3003 Red
18	Qty	1unit
19	Weight	117kg

