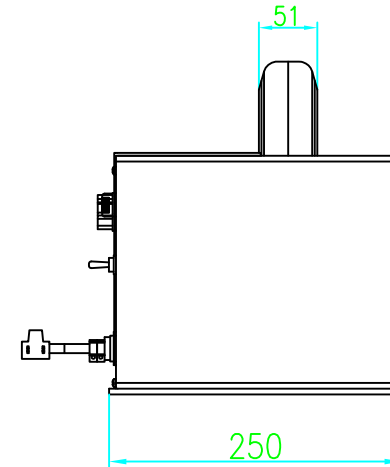
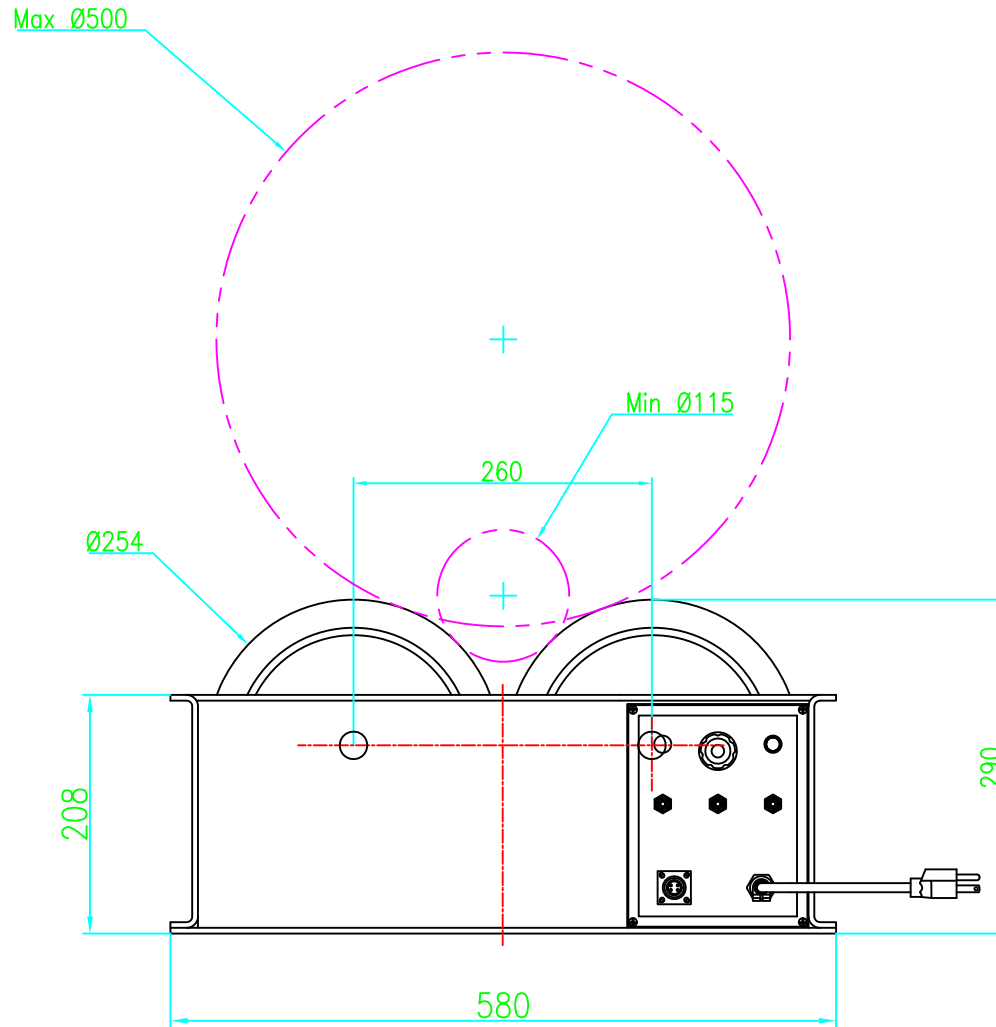


Specification for Rotator Power

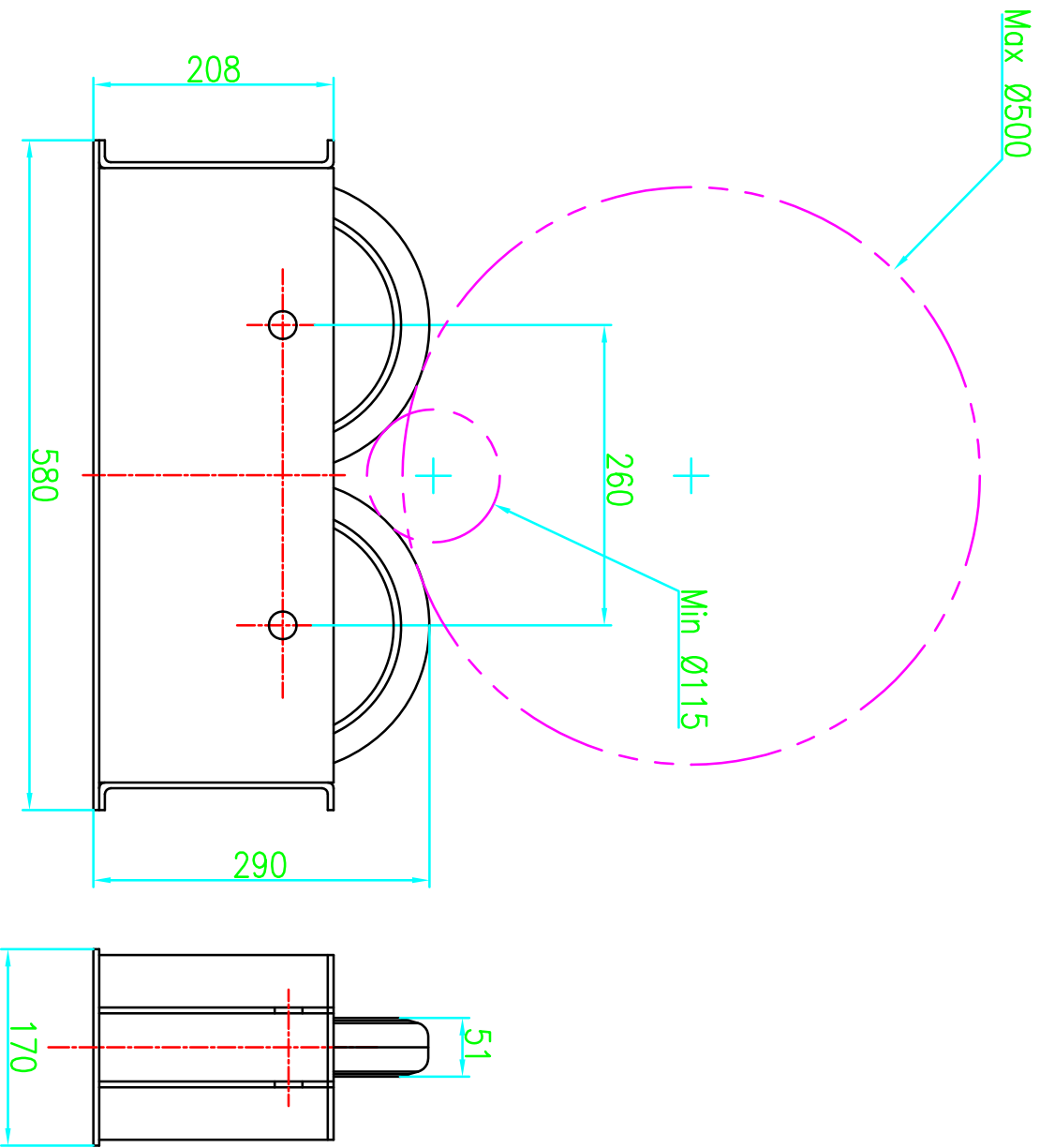
1	Model	WHTP-1
2	Capacity (Loading)	0.25 Metric Ton
3	Capacity (Turning)	0.5 Metric Ton
4	Vessel Size (Min)	φ115mm
5	Vessel Size (Max)	φ500mm
6	Tyre Type and Size	Polyurethane, φ10"x2"
7	Electrical Panel	Yes
8	Control Means	Foot Switch Control Cable 3m
9	Incoming Supply	<input type="checkbox"/> V- <input type="checkbox"/> P- <input type="checkbox"/> Hz
10	Roller Drive Motor	90VDC, 100W
11	Roller Speed	5580mm/min
12	Surface Preparation	Gritblast to SA2.5
13	Painting	Powder Coating
14	Colour	RAL3003
15	Quantity	T.B.A
16	Weight	45 kg



			PROJECT/MODEL :		WHTP-1
			CLIENT :		-
DRAWN	NAME	DATE	DWG. NAME :		1T Rotator-Power
		2009-12-01			
APPROVED			DWG. NO. :		WHTP-1
			SCALE:		1 : 1
			REVISION:		2
			SHEET NO.:		1 OF 1

Specification for Rotator Idle

1	Model	WHTI-1
2	Capacity (Loading)	0.25 Metric Ton
3	Capacity (Turning)	NA
4	Vessel Size (Min)	φ115mm
5	Vessel Size (Max)	φ500mm
6	Tyre Type and Size	Polyurethane, φ10"×2"
7	Electrical Panel	No
8	Incoming Supply	N.A
9	Roller Drive Motor	N.A
10	Surface Preparation	Gritblast to SA2.5
11	Painting	Powder Coating
12	Colour	RAL3003
11	Quantity	T.B.A
12	Weight	45 kg



PROJECT/MODEL :			WHTI-1		
CLIENT :			-		
DATE :	SCALE :	DATE :	DRAWN BY :		
2024-08-01	1:1		IT Rotator Idle		
APPROVED :	DATE :	DATE :	PROJECT NO. :		
			WHTI-1		
SHEET NO. :			SHEET NO. :		
1 OF 1			2		