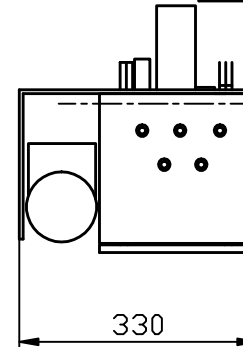
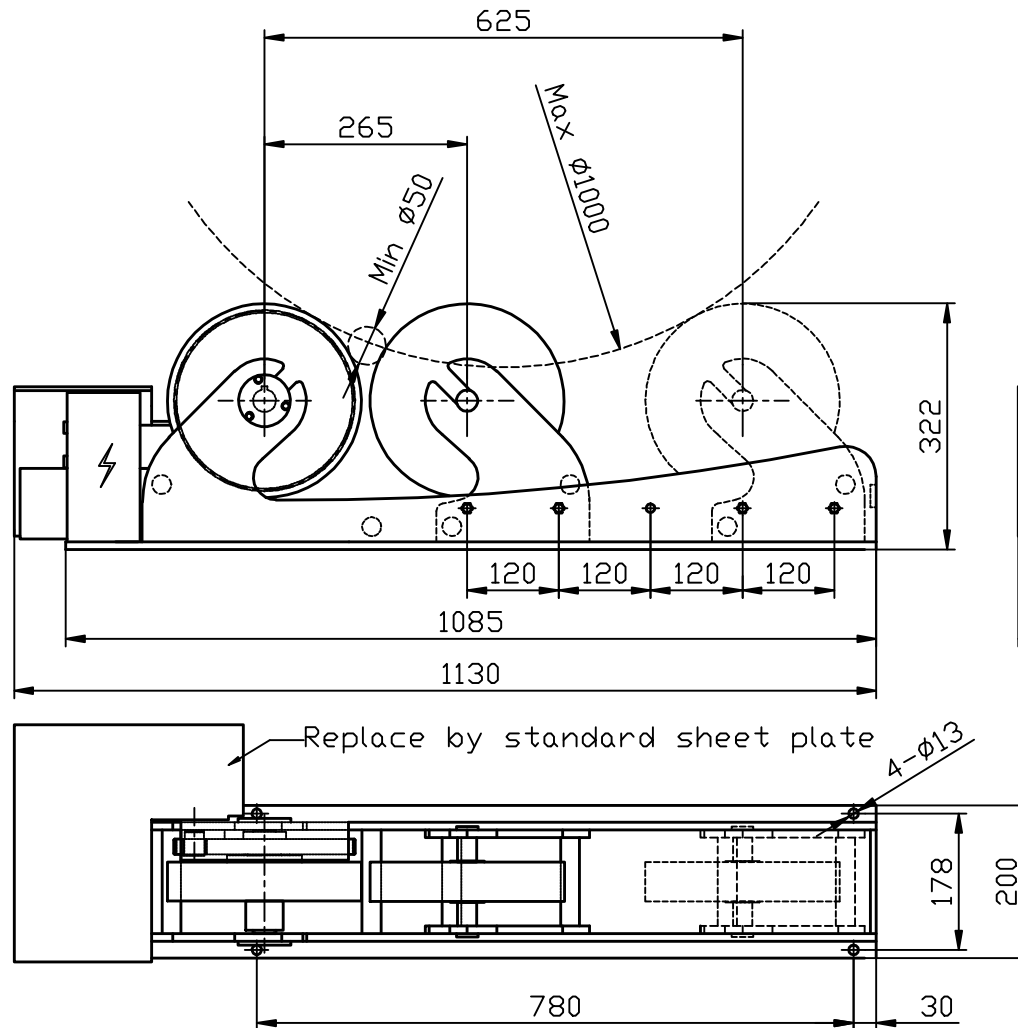


Specification for Rotator Power

1	Model	LLR-500P
2	Capacity (Loading)	0.25 MT
3	Capacity (Turning)	0.75 MT
4	Vessel Size (Min)	Ø50mm at 150° included Angle
5	Vessel Size (Max)	Ø1000mm at 60° included Angle
6	Tyre Type and Size	Rubber, Ø10"x2"
7	Electrical Panel	Yes
8	Control Means	2 Stroke Foot Switch with 3m Cable
9	Incoming Supply	220V-1P-50Hz
10	Control Voltage	24VAC
11	Roller Drive Motor	90VDC, 100W
12	Roller Speed	0-4420mm/min at 0-90VDC
13	Color	Yellow RAL1018 and RAL 9023 Gray
14	Qty	TBA
15	Weight	66 Kg



Note:

- 1) CE Compliance
- 2) Power Supply Cable without Plug.

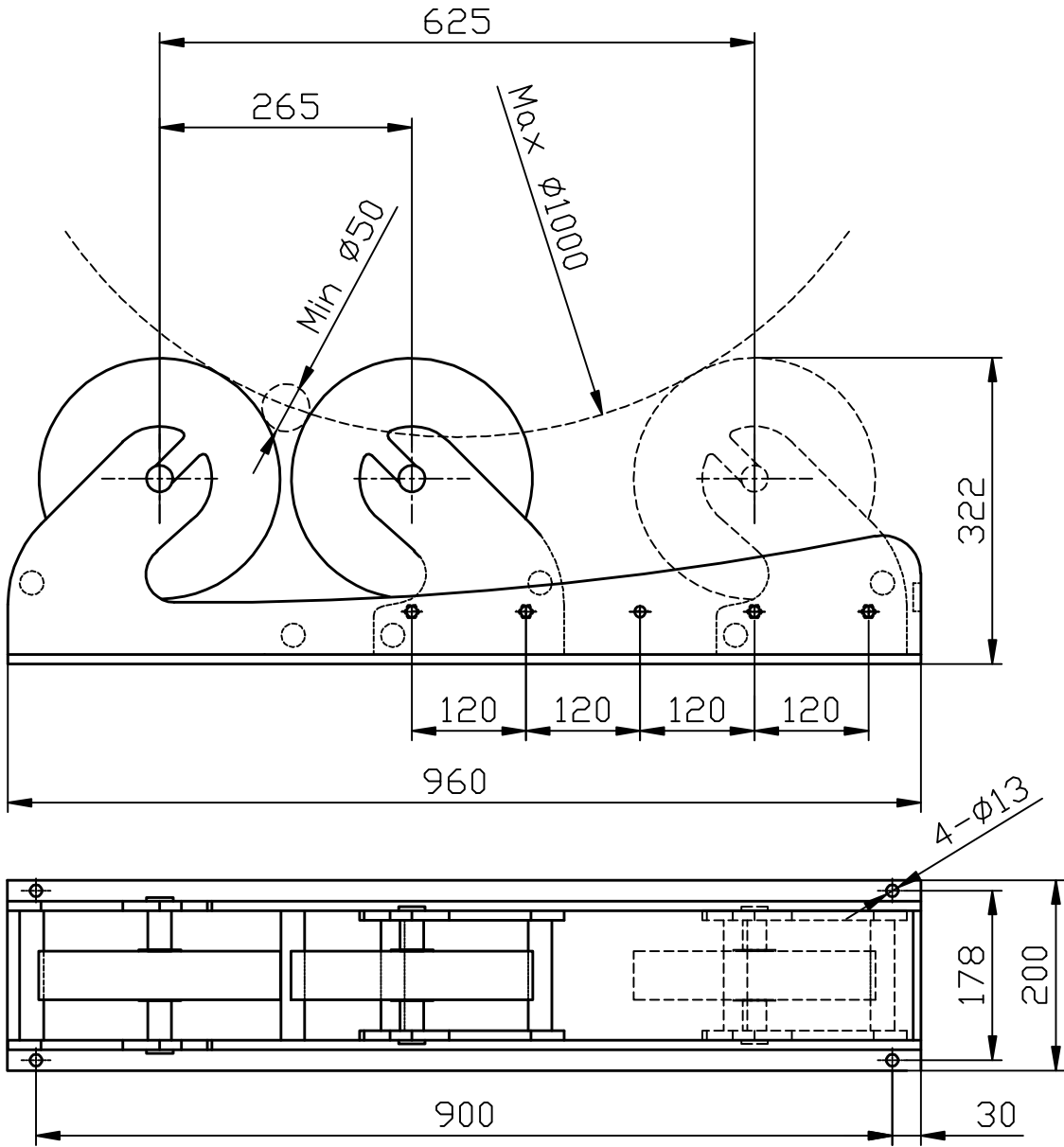
NOTE: ALL DIMENSIONS IN MM, GENERAL TOLERANCE FOLLOW ISO 13920 CLASS C AND ISO 2768-1 CLASS F.

DRAWN			PROJECT/MODEL :			CLIENT : -	
			LLR-500P				
APPROVED			DWG. NAME :			SCALE: 1 : 1	
			DWG. NO. :			REVISION: 03	
						SHEET NO: 1 OF 1	

Specification for Rotator Idle

1	Model	LLR-500I
2	Capacity (Loading)	0.25 MT
3	Capacity (Turning)	N.A
4	Vessel Size (Min)	ø50mm at 150° included Angle
5	Vessel Size (Max)	ø1000mm at 60° included Angle
6	Tyre Type and Size	Rubber, ø10"x2"
7	Electrical Panel	No
8	Incoming Supply	N.A
9	Roller Drive Motor	N.A
10	Colour	Yellow RAL1018 and RAL9023 Gray
11	Quantity	TBA
12	Weight	50 Kg

Note:
1) CE Compliance



NOTE: ALL DIMENSIONS IN MM, GENERAL TOLERANCE FOLLOW ISO 13920 CLASS C AND ISO 2768-1 CLASS F.

DRAWN			PROJECT/MODEL :		CLIENT :	
			LLR-500I			
APPROVED			DWG. NAME :		SCALE: 1 : 1	
			DWG. NO. :		REVISION: 03	
					SHEET NO: 1 OF 1	