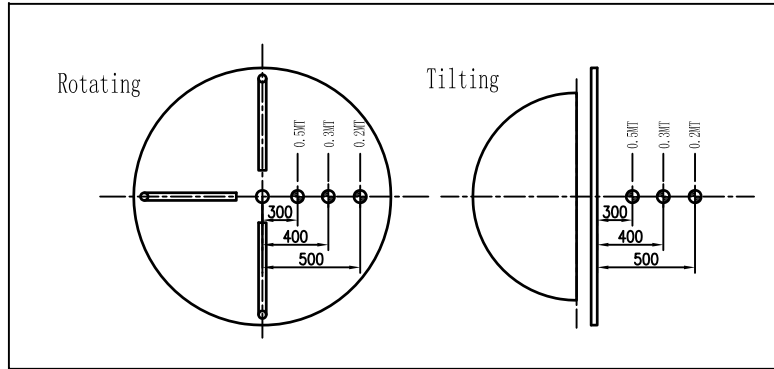
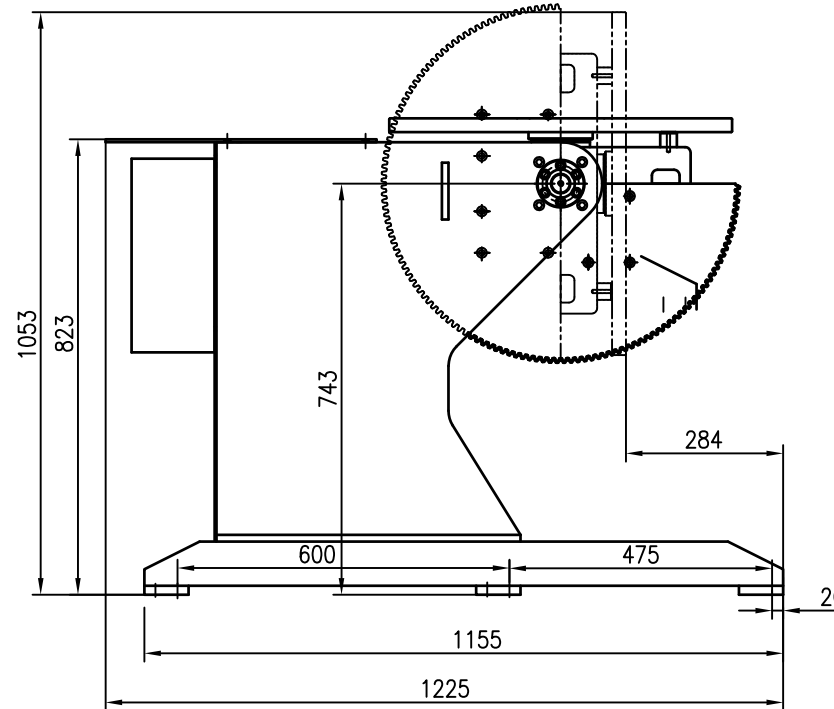
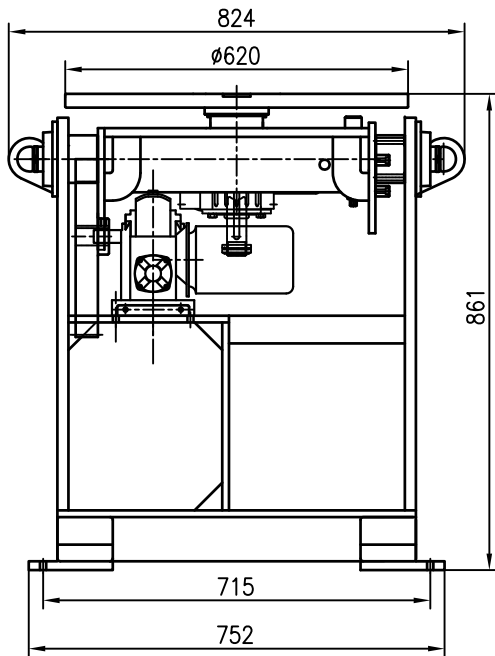


# Specification for positioner

LOAD CHART



1	Model	WHP-5
2	Capacity(Turning)	0.5MT @300mm (Please refer to load chart)
3	Capacity(Tilting)	0.5MT @300mm (Please refer to load chart)
4	Electrical Panel	Yes
5	Rotation Speed	0.2-2rpm at 0-90VDC
6	Tilt Range	0-135 Degree
7	Incoming Supply	220V-1P-50HZ
8	Control Voltage	24VDC
9	Rotation Drive Control	DC Motor
10	Control Means	Foot switch c/w 3m cable
11	Rotation Drive Motor	0.15kw DC Motor
12	Earthing	500A
13	Tilt Speed	135Deg in 64 sec
14	Tilt Drive Motor	0.5kw DC Motor
15	Surface Preparation	Gritblast to SA2.5
16	Color	RAL 3003 Red
17	Painting	Spray Paint
18	Qty	8 unit
19	Est Weight(kg)	357kg



NOTE : This Positioner is recommended  
3-Jaw Chuck Model:WP-620-A

ALL DIMENSIONS IN MM, UNLESS OTHERWISE SPECIFIED.

W.A.M.		PROJECT/MODEL : WHP-5	
DRAWN		CLIENT : -	
APPROVED		DWG. NAME : 500KG Positioner	
		DWG. NO. : WHP-5	SCALE: 1 : 1 REVISION: 02 SHEET NO: 1 OF 1